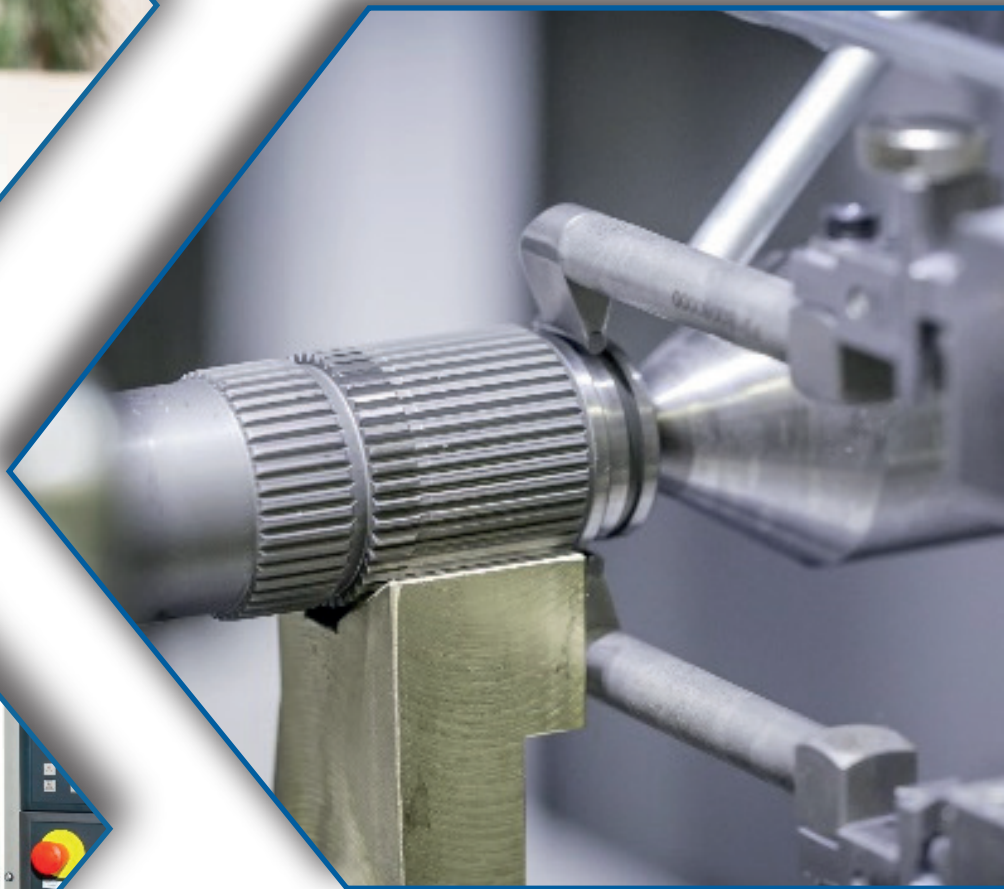




The specialist in cylindrical grinding
CVT Transmission



GST has developed a wide range of **highly productive** machines for the **serial** grinding of CVT gear components, entirely **flexible** and focused on customer requirements. Leading manufacturers already use our machines in **continuous operation**.

**Grinding machines for
CVT transmission shafts**



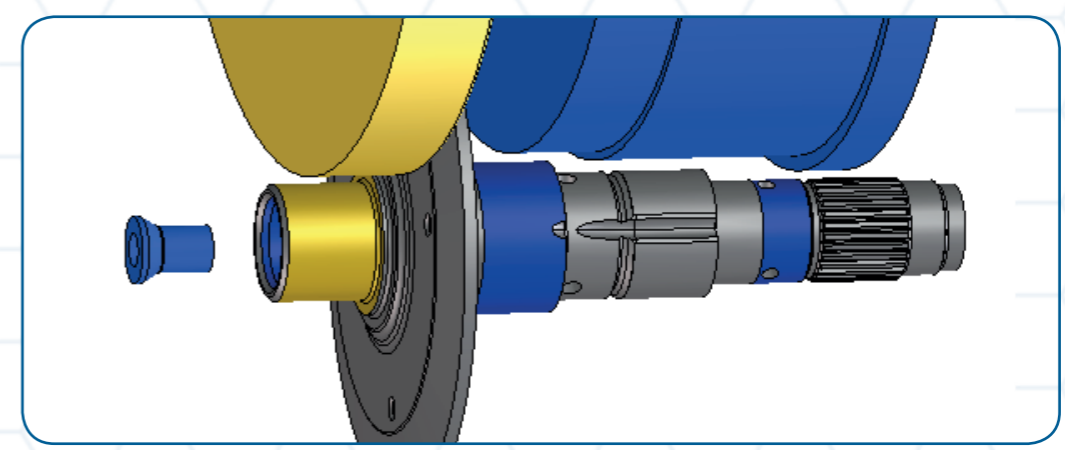
Ball raceways

- Grinding of ball raceway surfaces (profile grinding)
- Cycle time 1.24 min.
- 277,248 parts per year (85% capacity utilisation)
- First machine worldwide to grind grooves or ball raceways with a CBN mounted point
- Easy retooling to the conventional process with CBN grinding wheels is possible
- No non-productive times: loading, unloading, clamping and releasing times are eliminated



Diameters / planes surfaces - centering bores

- Grinding of diameters and plane surfaces
- Cycle time 50 sec.
- 414,000 parts per year (85% capacity utilisation)
- Simultaneous grinding of plane surfaces, internal and external diameters with one CBN grinding wheel and two CBN mounted points
- The chuck is integrated in the center drive
- A tailstock with clamping force monitoring is mounted on a grinding unit to support protruding workpieces



GST Machine features

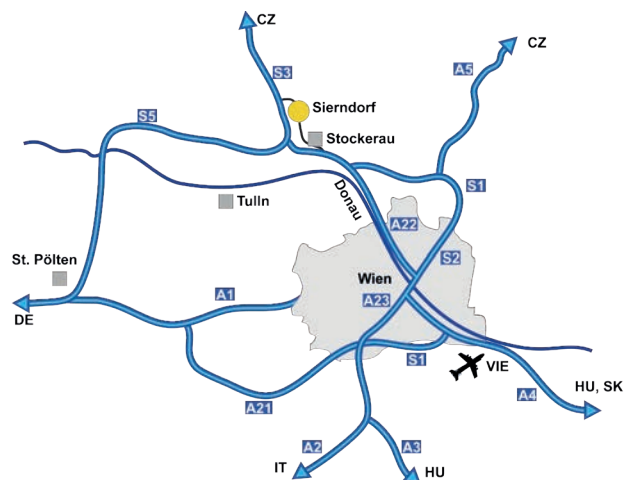
- Complete machining in a single clamping set-up
- Full CNC control of all axes
- Automatic process measurement incl. roundness compensation
- Solid grinding spindle with roller bearings
- Linear drive technology of the highest precision
- Center drive for workpiece driving with speed control
- Compound-slide configuration
- Feed slide with recirculating roller guides
- Coolant: emulsion or oil
- High energy efficiency due to compact design
- Short set-up times due to wheel changing devices, automatic set-up and automatic adjustment of table assemblies
- Stand-alone solution with GST loader and workpiece magazine, or integration into an interlinked system



GST GRINDER GmbH

Industriepark 6 | 2011 Sierndorf | Austria

Phone: +43 (0)2267 / 3250-0 | Fax: +43 (0)2267 / 3250-99 | Mail: office@gst.at



GST Grinder GmbH. All rights reserved. office@gst.at
UID-Nr.: ATU74383213 - FN.Nr.: 512421 k - Landesgericht Korneuburg - CEOs: Günter Hacker, Franz Hejn